

2008-CBR600RR PARTS LIST

CONTENTS

INSTRUCTIONS FOR USE OF PARTS LIST.....	3- 2
---	------

ENGINE GROUP

E- 1	Engine power up kit	3- 3
E- 2	A.C. generator set	3- 4
E- 3	Oil pan	3- 5
E- 4	Transmission set	3- 6
E- 5	Water hose plug set	3- 7

FRAME GROUP

F- 1	Thottle / brake	3- 8
F- 2	Steering damper.....	3- 9
F- 3	Front fork	3-10
F- 4	Air funnel set / Breather case set	3-12
F- 5	Air injection plug set	3-13
F- 6	Exhaust set	3-14
F- 7	Chain	3-15
F- 8	Rear cushion	3-16
F- 9	Wire harness (AMA-FX)	3-17
F- 9-1	Wire harness (AMA-SS)	3-18
F-10	Quick shifter set	3-19
F-11	Radiator set	3-20

INDEX	3-21
-------------	------

INSTRUCTIONS FOR USE OF PARTS LIST

This parts list is to be used when ordering replacement parts; it contains all parts for model 2008-CBR600RR.

I. How to order parts

● Information required

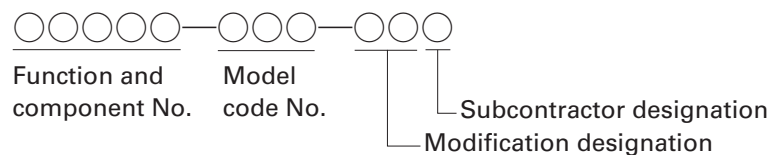
Replacement parts orders must contain both the part number and the stamped number(s) as described below. This is because any changes and modifications of parts are registered at Honda with the pertinent parts and stamped numbers.

- If quantities are shown in (), the parts are optional.
- If “N” is indicated in the quantity column, the parts quantity is to be determined as required.

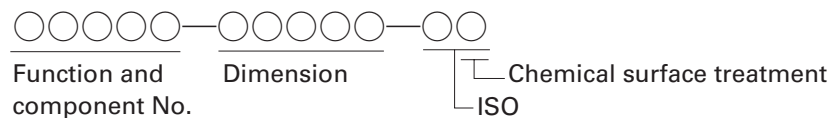
II. How to read this parts list

● Make-up of the part number

(Example) General parts



(Example) Bolts, nuts and other standard parts



● Abbreviations

The following abbreviations are used in this parts list.

A.C.	Alternating current	M.	Middle
ASSY.	Assembly	mm	Millimeter
C.	Center	R.	Right
COMP.	Complete	STD.	Standard
G.	Gram	T(22T)	Tooth (22 Teeth)
L.	Left	T.W.	Thermo Water
L(100L)	Link (100Links)		

IMPORTANT INFORMATION

- The parts which have a dot “•” on the left side of the “Ref. No.” are exclusive for HRC products. To purchase these parts, consult your Honda dealer.
- The parts which have no dot are Honda products and can be purchased from your nearest Honda motorcycle dealer.

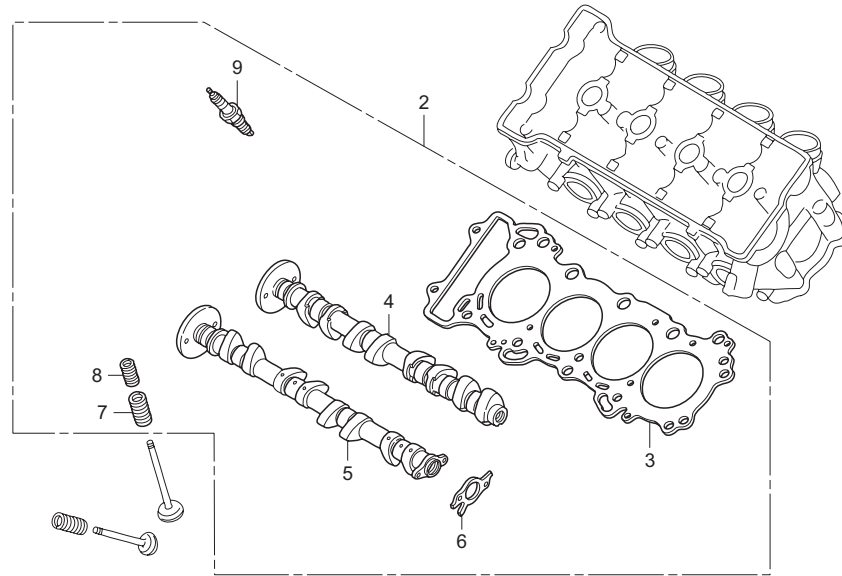
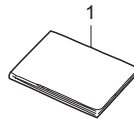
MEMO

Block No.

E-1

Engine power up kit

2008 CBR600RR



Note

The parts which have no "Ref No" in the illustration are Honda products.



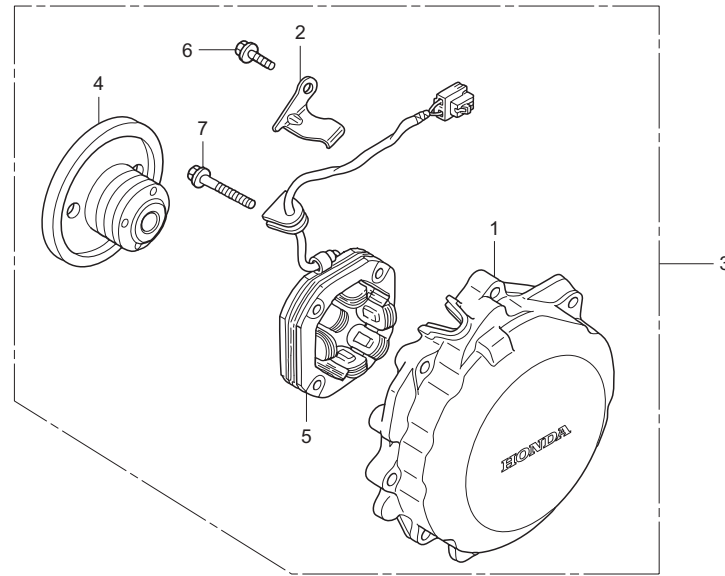
Ref. No.	Part No.	Description	Reqd. No.		Remarks
			AMA	FX SS	
• 1	00X32-N1A-A00	SET UP MANUAL PARTS LIST	1	1	
• 2	06130-N1A-D00	ENGINE POWER UP KIT	1	-	
• 3	12251-MFJ-D01	GASKET CYLINDER HEAD 0.6	(1)	-	STD, t0.6
• 3	12251-NL3-751	GASKET CYLINDER HEAD 0.65	1	-	t0.65
• 4	14110-NL3-750	CAM SHAFT COMP., IN 23/52	1	-	23/52 7500
• 5	14210-N1A-D00	CAM SHAFT COMP., EX 10/45	1	-	10/45 D000
• 6	14405-NL3-750	ROTOR, CAM PULSE	1	-	
• 7	14751-NL3-750	SPG, IN VALVE OUTER	8	-	
• 8	14752-NL3-750	SPG, IN VALVE INNER	8	-	
• 9	31910-NL3-871	SPARK PLUG (NGK R0409B-10)	4	4	

Block No.

E-2

A.C. generator set

2008 CBR600RR

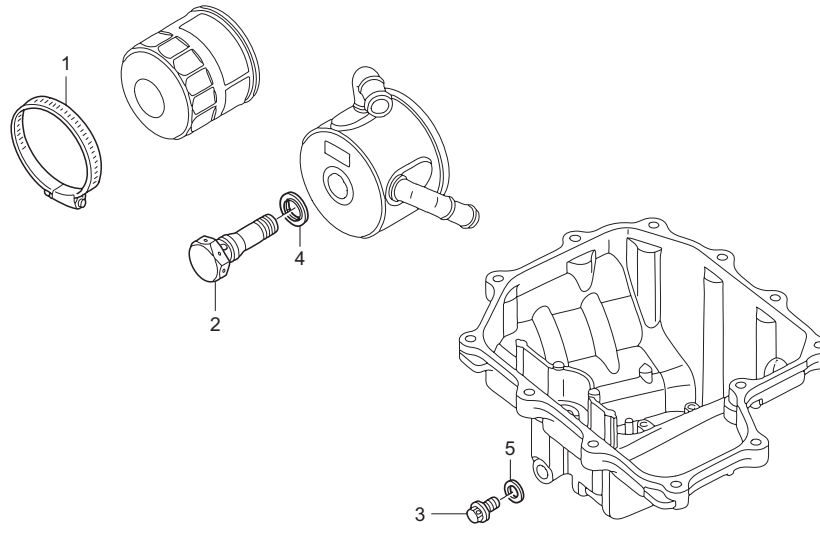


Ref. No.	Part No.	Description	Reqd. No.		Remarks
			AMA	FX SS	
• 1	11321-N1A-D00	COVER, ACG	1	-	
2	11333-MFJ-D00	CLAMP, ACG COOD	1	-	
• 3	31100-N1A-D00	A.C. GEN ASSY.....	1	-	
• 4	31110-N1A-D00	ROTOR COMP	1	-	N1AA
• 5	31120-NL3-750	STATOR COMP	1	-	
6	96001-06016-00	BOLT, FLANGE, SH, 6 X 16	1	-	
7	96001-06028-00	BOLT, FLANGE, SH, 6 X 28	4	-	

Block No.

E-3
Oil pan

2008 CBR600RR



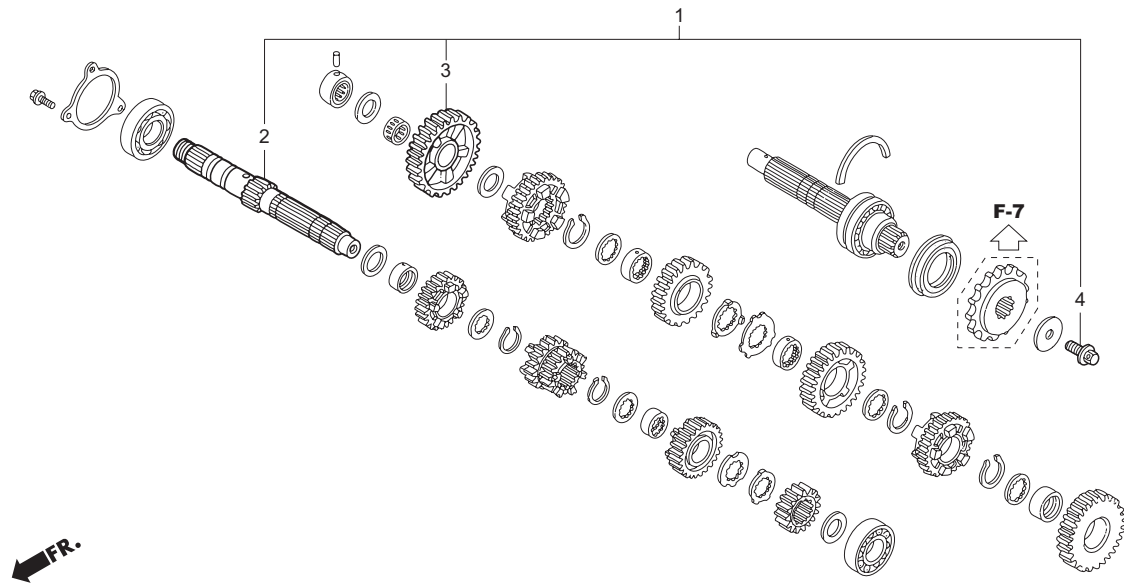
Ref. No.	Part No.	Description	Reqd. No.		Remarks
			AMA	FX SS	
1	50252-GC4-830	BAND, SUB TANK.....	1	1	
• 2	90019-N1A-D00	BOLT, OIL COOLER.....	1	1	
• 3	90081-NX4-000	BOLT, DRAIN 12mm.....	1	1	hole for wire lock
4	90402-MFJ-D01	WASHER, SEALING, 34.5mm.....	1	1	STD
5	94109-12000	WASHER, DRAIN PLUG, 12mm.....	1	1	STD

Block No.

E-4

Transmission set

2008 CBR600RR



Ref. No.	Part No.	Description	Reqd. No.		Remarks
			AMA	FX SS	
• 1	06230-N1A-A10	TRANSMISSION SET	1	-	
• 2	23211-N1A-A10	SHAFT, MAIN S1	1	- 18T	
• 3	23421-N1A-A10	GEAR, C-1 S1	1	- 43T	
• 4	90004-492-010	BOLT, SPECIAL, 10mm	1	1 hole for wire lock	

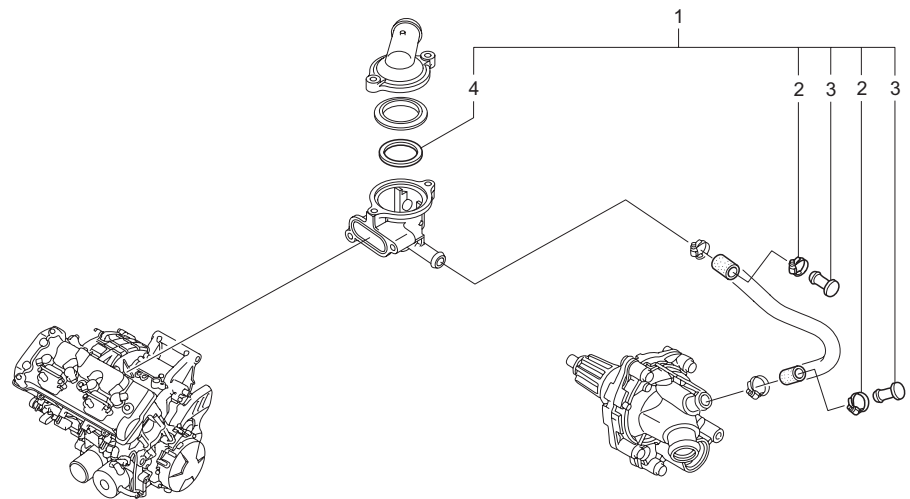
Block No.

E-5

Water hose plug set

2008 CBR600RR

←FR.



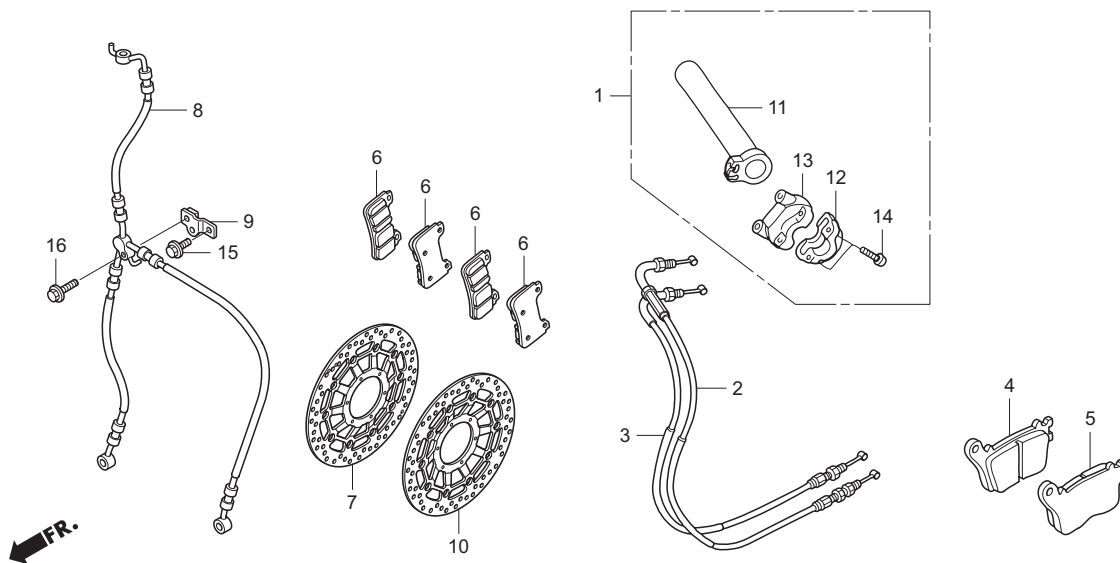
Ref. No.	Part No.	Description	Reqd. No.		Remarks
			AMA	FX SS	
• 1	04193-N1A-D00	WATER HOSE PLUG SET	1	1	
2	19505-KS6-700	CLAMP A, WATER HOSE	2	2	
• 3	19512-NL3-620	PLUG, HOSE B	2	2	
4	90454-ZV1-000	WASHER, THRUST	1	1	

Block No.

F-1

Throttle / Brake

2008 CBR600RR



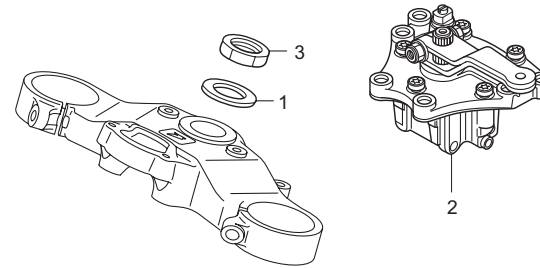
Ref. No.	Part No.	Description	Reqd. No.		Remarks
			AMA	FX SS	
• 1	06531-NL3-750	HOUSING SET, THROTTLE	1	1	
• 2	17910-N1A-D00	THROTTLE CABLE, A.....	1	1	N1A-D00
• 3	17920-N1A-D00	THROTTLE CABLE, B.....	1	1	N1A-D00
• 4	43105-NL9-C30	PAD COMP., A RR. (TT2450)	1	1	Anti-fade/decay dirability significant concerned
•	43105-NL9-C41	PAD COMP., A RR. (NKX19).....	1	1	Control/decay durability significant concerned
• 5	43106-NL9-C30	PAD COMP., B RR. (TT2450)	1	1	Anti-fade/decay dirability significant concerned
•	43106-NL9-C41	PAD COMP., B RR. (NKX19).....	1	1	Control/decay durability significant concerned
• 6	45105-NL3 -921	PAD COMP., FR. (H21A)	4	4	Force and effect significant concerned (thicker than standard, back plate metal polished)
•	45105-NL9 -801	PAD COMP., FR. (N615).....	4	4	Decay durability significant concerned
•	45106-NL3 -921	PAD COMP., FR. (N608).....	4	4	Control significant concerned
• 7	45120-NL3-901	DISK COMP., R. FR. BRK (t5mm).....	1	-	
• 8	45125-N1A-D00	HOSE, COMP., FR. BRAKE	1	1	
• 9	45159-N1A-D00	STAY COMP., FR. BRAKE.....	1	1	
• 10	45220-NL3-901	DISK COMP., L. FR. BRK (t5mm)	1	-	
• 11	53141-MT7-000	PIPE, THROTTLE GRIP	1	1	
12	53167-KV3-700	HOUSING UP. THROTTLE	1	1	
13	53168-KV3-701	HOUSING UND. THROTTLE	1	1	
14	93500-05020-0G	SCREW, PAN, 5 X 20	2	2	
15	96001-06012-07	BOLT, FLANGE, SH 6 X 12	1	1	
16	96001-06018-07	BOLT, FLANGE, SH 6 X 18	1	1	

Block No.

F-2

Steering damper

2008 CBR600RR



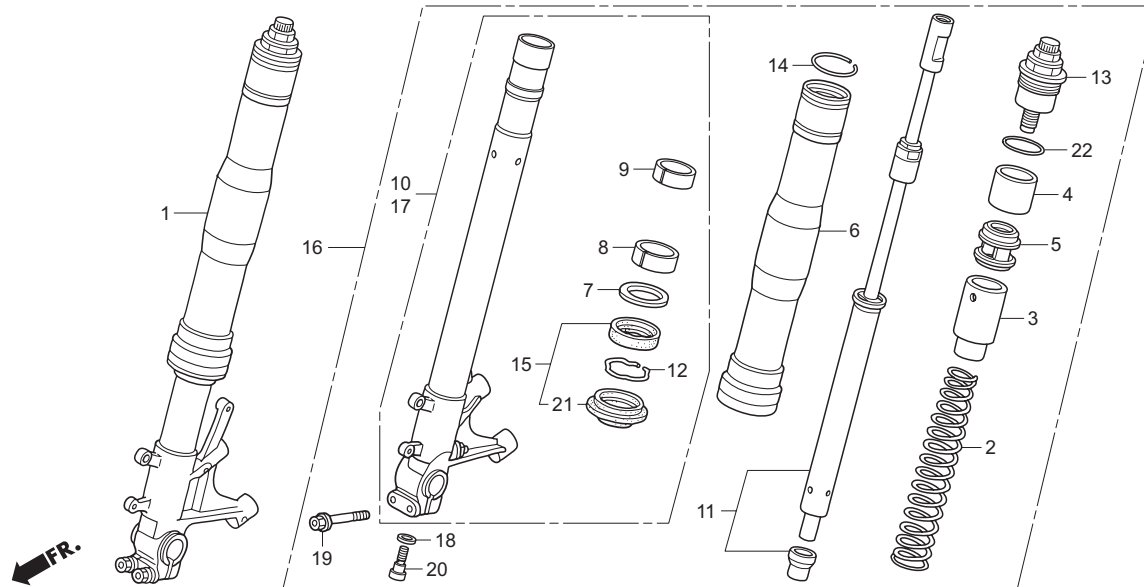
Ref. No.	Part No.	Description	Reqd. No.		Remarks
			AMA	FX SS	
1	53215-GF8-000	WASHER, DUST SEAL	1	1	
• 2	53700-MFJ-R01	DAMPER ASSY., STRG	1	1	
• 3	90304-MFJ-R00	NUT, STEERING STEM	1	1	

Block No.

F-3

Front fork

2008 CBR600RR



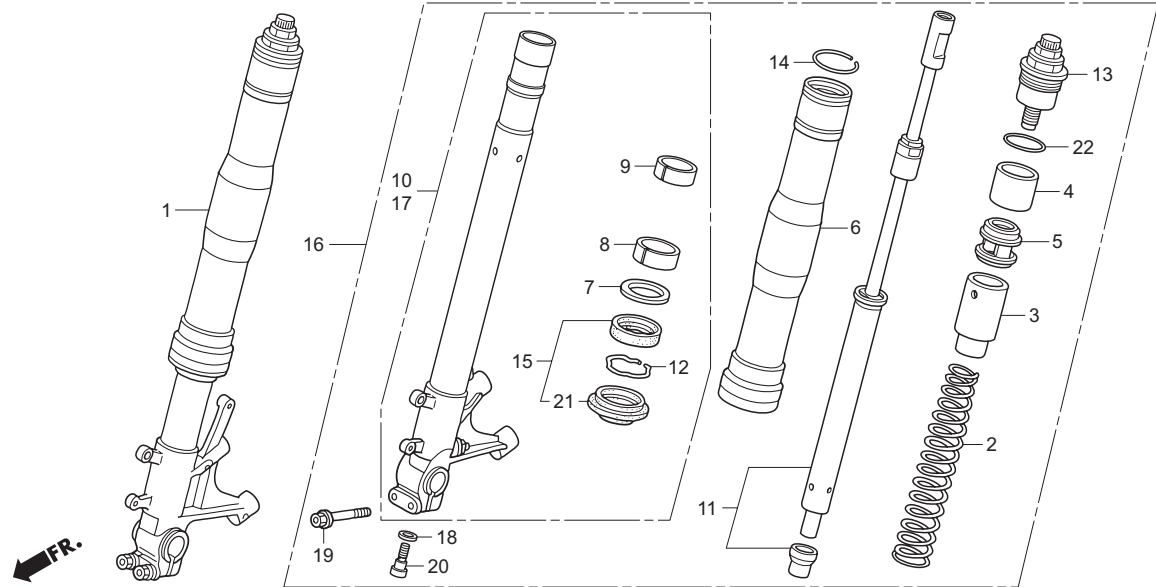
Ref. No.	Part No.	Description	Reqd. No.		Remarks
			AMA	FX SS	
• 1	51400-MFJ-R11	FORK ASSY., R. FRONT	1	-	
•	51400-N1A-A21	FORK ASSY., R. FRONT	-	1	
• 2	51401-MEE-R21	SPRING, FR. CUSHION (0.95)	2	2	No mark
•	51401-NL3-921	SPRING, FR. CUSHION (0.90)	(2)	(2)	0.90
•	51402-NL3-921	SPRING, FR. CUSHION (1.00)	(2)	(2)	1.00
•	51403-NL3-921	SPRING, FR. CUSHION (1.05)	(2)	(2)	1.05
3	51403-MEE-D01	COLLAR, SPRING	2	2	
• 4	51404-MFJ-R01	COLLAR B, SPRING	2	2	
• 5	51406-MFJ-R01	STOPPER, SPRING SEAT	2	2	
6	51410-MFJ-D01	TUBE, OUTER	2	2	
7	51412-MB4-003	RING, BACK UP	2	2	
8	51414-KCR-003	BUSH, GUIDE	2	2	
9	51415-KCR-003	BUSH, SLIDER	2	2	
• 10	51420-MFJ-R01	PIPE ASSY., R. SLIDER	1	-	
•	51420-N1A-A21	PIPE ASSY., R. SLIDER	-	1	
• 11	51430-MFJ-R11	DAMPER COMP., FR.	2	2	
12	51447-KA4-711	RING, OIL SEAL STOPPER	2	2	
• 13	51450-MFJ-R01	BOLT COMP., FR. FORK	2	2	
14	51455-MEE-D01	RING, STOPPER	2	2	
15	51490-MEE-D01	SEAL SET, FR. FORK	2	2	

Block No.

F-3

Front fork

2008 CBR600RR



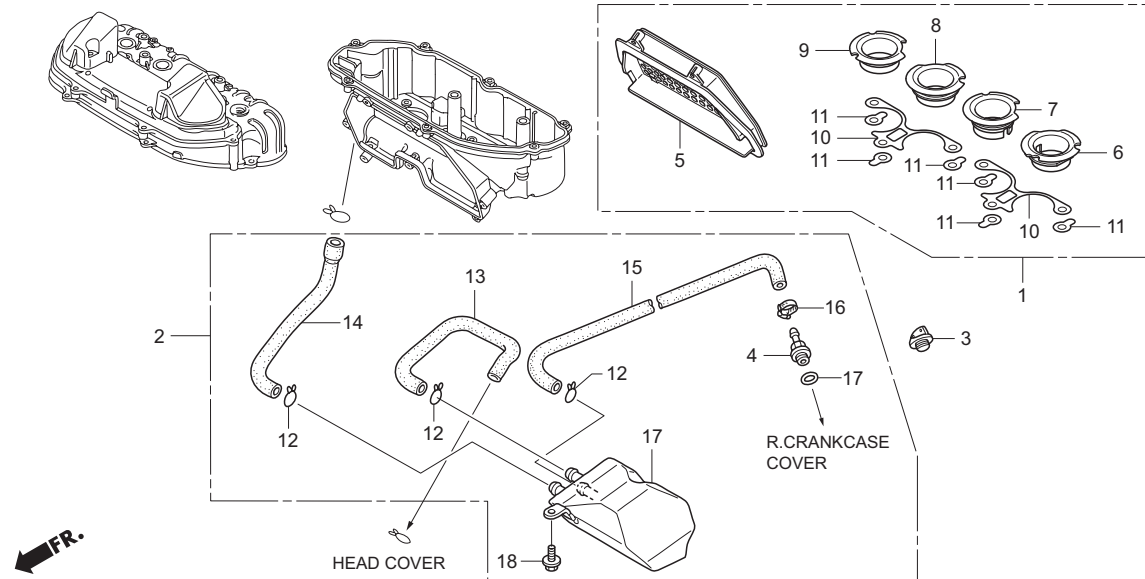
Ref. No.	Part No.	Description	Reqd. No.		Remarks
			AMA	FX SS	
• 16	51500-MFJ-R11	FORK ASSY., L. FRONT.....	1	-	
•	51500-N1A-A21	FORK ASSY., L. FRONT.....	-	1	
• 17	51520-MFJ-R01	PIPE ASSY., L. SLIDER	1	-	
•	51520-N1A-A21	PIPE ASSY., L. SLIDER	-	1	
18	52442-KA3-711	WASHER, SPECIAL 10mm	2	2	
19	90109-MR7-000	BOLT, FLANGE DR 8 X 45	4	4	
20	90126-MR7-003	BOLT, SOCKET 10 X 35	2	2	
21	91254-MEE-D01	DUST SEAL	2	2	
22	91258-GF4-003	O-RING 42.2 X 2.4.....	2	2	

Block No.

F-4

**Air funnel set /
Breather case set**

2008 CBR600RR



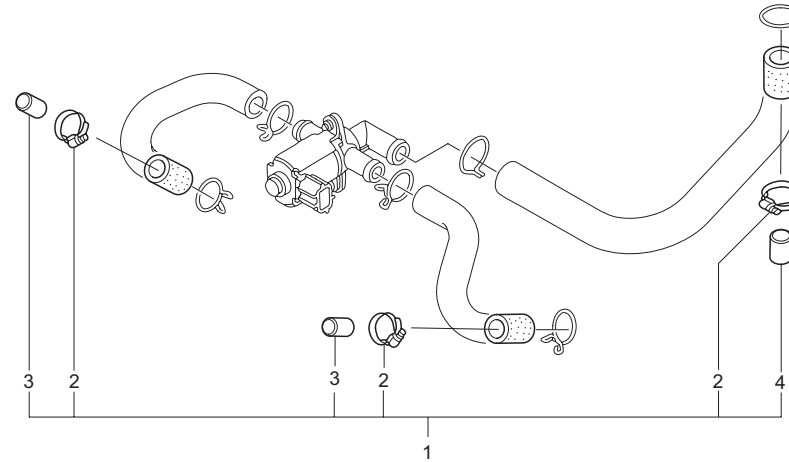
Ref. No.	Part No.	Description	Reqd. No.		Remarks
			AMA	FX SS	
• 1	06170-N1A-D10	AIR FUNNEL SET	1	-	38770-N1A-D10 (UNIT ASSY. PGM-FI/IGN) use with set.
• 2	06552-N1A-D00	BREATHER CASE SET	1	1	
• 3	15611-NF4-900	CAP, OIL FILLER	1	1	hole for wire lock (=15611-MEE-R00)
• 4	15514-N1A-D00	JOINT, OIL RETURN	1	1	
• 5	17210-N1A-D10	ELEMENT, AIR CLEANER	1	1	
• 6	17211-N1A-D10	FUNNEL, AIR #1 L11	1	-	N1A-D10 #1 L11, 38770-N1A-D10 (UNIT ASSY. PGM-FI/IGN) use with set.
• 7	17212-N1A-D10	FUNNEL, AIR #2 L17	1	-	N1A-D10 #2 L17, 38770-N1A-D10 (UNIT ASSY. PGM-FI/IGN) use with set.
• 8	17213-N1A-D10	FUNNEL, AIR #3 L17	1	-	N1A-D10 #3 L17, 38770-N1A-D10 (UNIT ASSY. PGM-FI/IGN) use with set.
• 9	17214-N1A-D10	FUNNEL, AIR #4 L11	1	-	N1A-D10 #4 L11, 38770-N1A-D10 (UNIT ASSY. PGM-FI/IGN) use with set.
• 10	17226-N1A-D10	BRACKET, FUNNEL	2	-	
• 11	17227-N1A-D10	TONGUED WASHER	6	-	
12	17316-611-000	CLIP, BREATHER TUBE	3	3	
• 13	17554-N1A-D00	TUBE A, BREATHER	1	1	
• 14	17555-N1A-D00	TUBE B, BREATHER	1	1	
• 15	17556-N1A-D00	TUBE C, BREATHER	1	1	
16	19505-KS6-700	CLAMP A, WATER HOSE	1	1	
• 17	55200-N1A-D00	CASE COMP., BREATHER	1	1	
18	90123-MEN-670	BOLT, SH DR 8 X16	1	1	
19	91307-KF0-003	O-RING, 18 X 3	1	1	

Block No.

F-5

Air injection plug set

2008 CBR600RR



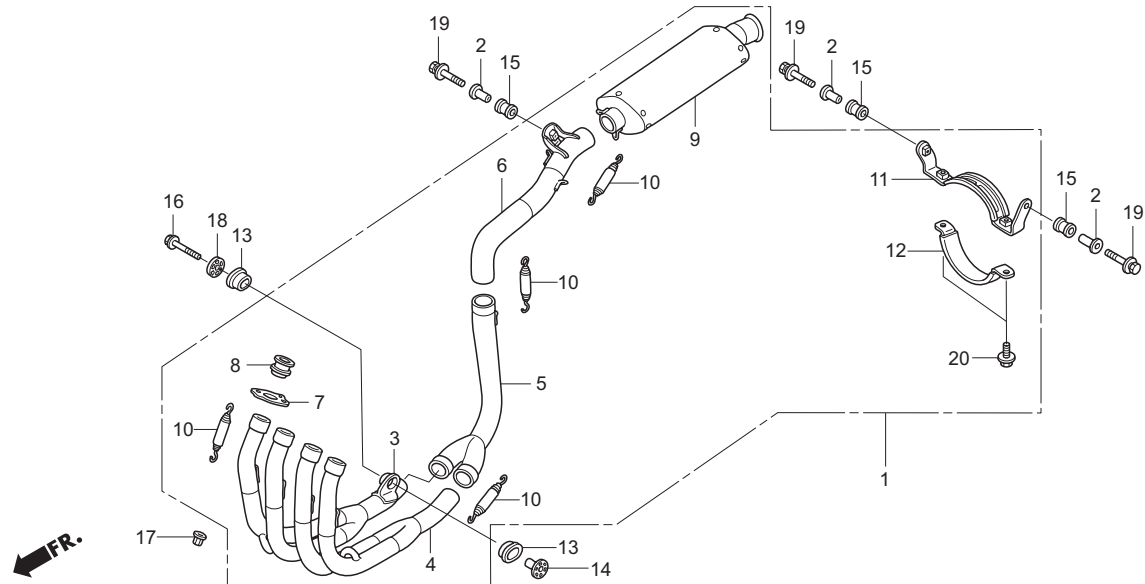
Ref. No.	Part No.	Description	Reqd. No.		Remarks
			AMA	FX SS	
• 1	06195-N1A-D00	PLUG SET, EXHAUST A/I.....	1	1	
• 2	19505-KS6-700	CLAMP A, WATER HOSE	3	3	
• 3	96205-14012	PLUG, CONE TYPE, 14 X 12.....	2	2	ø14
• 4	96205-15012	PLUG, CONE TYPE, 15 X 12.....	1	1	ø15

Block No.

F-6

Exhaust set

2008 CBR600RR

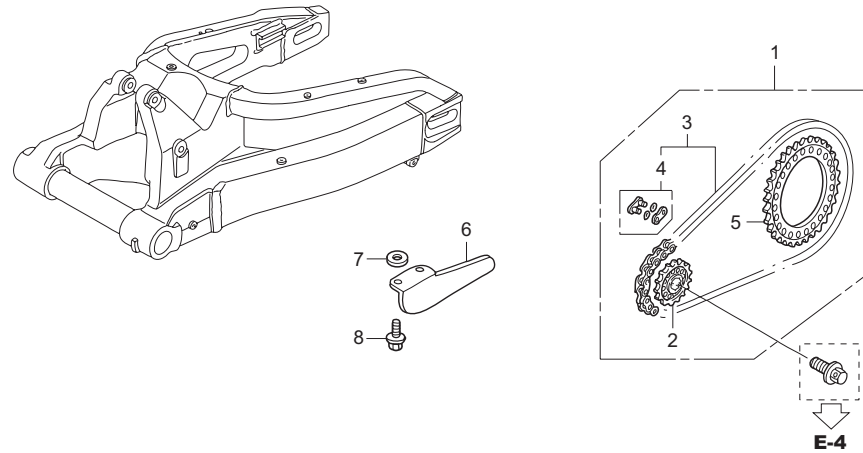


Ref. No.	Part No.	Description	Reqd. No.		Remarks
			AMA	FX SS	
• 1	06180-N1A-D00	EXHAUST SET (FIM)	1	1	
2	17246-439-000	COLLAR, AIR CLEANER	3	3	STD
• 3	18151-N1A-D00	PIPE COMP., R. EXHAUST	1	1	
• 4	18152-N1A-D00	PIPE COMP., L. EXHAUST	1	1	
• 5	18157-N1A-D00	JOINT RR. EXH. PIPE	1	1	
• 6	18158-N1A-D00	TAIL PIPE, EXH.	1	1	
• 7	18231-N1A-D00	FLANGE, EXH.	4	4	
• 8	18232-NL3-900	COLLAR, EXH.	4	4	
• 9	18310-N1A-D00	SILENCER COMP. (FIM)	1	1	
• 10	18334-NL3-750	SPRING, EXH. PIPE	9	9	
• 11	18371-N1A-D00	BAND A, MUFFLER	1	1	
• 12	18372-N1A-D00	BAND B, MUFFLER	1	1	
13	18422-MFJ-D00	RUBBER, EXH. PIPE MOUNT	2	2	STD
14	18423-MFJ-D00	COLLAR, EXH. PIPE MOUNT	1	1	STD
15	18424-MFJ-D00	RUBBER, MUFFLER RR. MOUNT	3	3	STD
16	90120-MFJ-D00	BOLT, FLANGE GUIDE 8 X 50	1	1	STD
17	90304-MM5-000	NUT, FLANGE, 7 mm	8	8	STD
18	90501-MFJ-D00	WASHER, 8.5 X 38	1	1	STD
19	93401-06028-00	BOLT-WASHER, 6 X 28	3	3	STD
20	96001-06014-00	BOLT, 6 X 14	2	2	

Block No.

F-7
Chain

2008 CBR600RR



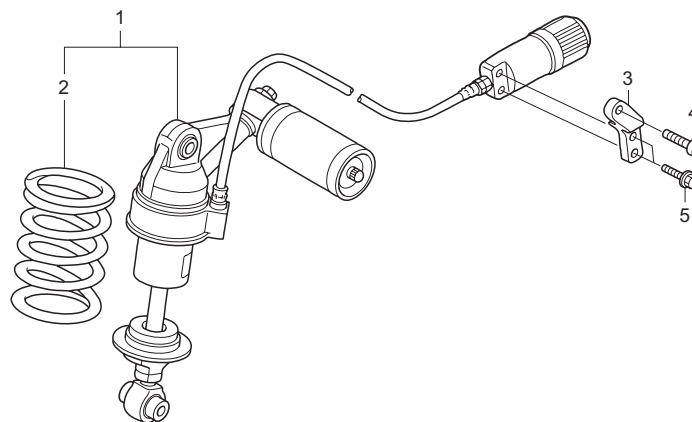
Ref. No.	Part No.	Description	Reqd. No.		Remarks
			AMA	FX SS	
• 1	06412-NL3-650	FINAL SET SPROCKET 520	1	1	
• 2	23801-NL3-620	SPROCKET, DRIVE 14T (520)	1	1	
•	23802-NL3-620	SPROCKET, DRIVE 15T (520)	1	1	
•	23803-NL3-620	SPROCKET, DRIVE 16T (520)	1	1	
• 3	40530-NL6-003	CHAIN, DRIVE GB520 HRVZ2-120LJ-F	1	1	
• 4	40535-NL6-003	JOINT, DRIVE CHAIN.....	1	1	
• 5	41201-NL3-651	SPROCKET, FINAL DRIVEN 41T (520)	1	1	
•	41202-NL3-651	SPROCKET, FINAL DRIVEN 42T (520)	1	1	
•	41203-NL3-651	SPROCKET, FINAL DRIVEN 43T (520)	1	1	
•	41204-NL3-651	SPROCKET, FINAL DRIVEN 44T (520)	1	1	
•	41205-NL3-651	SPROCKET, FINAL DRIVEN 45T (520)	1	1	
•	41206-NL3-651	SPROCKET, FINAL DRIVEN 46T (520)	1	1	
•	41207-NL3-651	SPROCKET, FINAL DRIVEN 47T (520)	1	1	
• 6	52157-NL3-650	PROTECTOR, SPROCKET.....	1	1	
7	90505-116-670	WASHER 13 X 20	N	N	
8	93404-06010-08	BOLT-WASHER, 6 X 10.....	1	1	

Block No.

F-8

Rear cushion

2008 CBR600RR



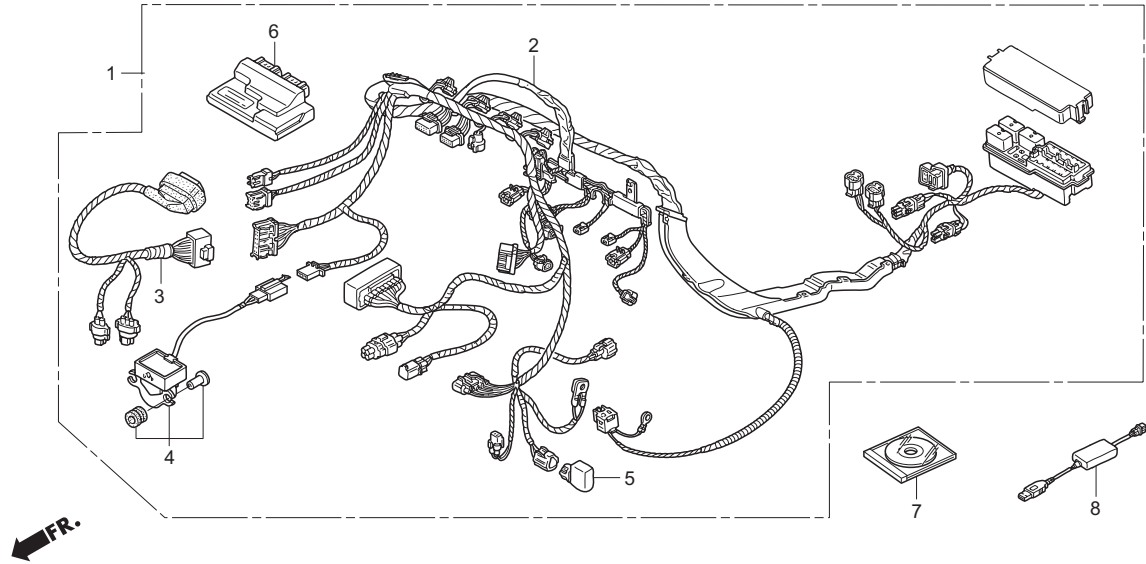
Ref. No.	Part No.	Description	Reqd. No.		Remarks
			AMA	FX SS	
• 1	52400-MFJ-R11	RR. CUSH ASSY.....	1	1	
• 2	52401-MFJ-R01	SPRING, RR. CUSHION (10.5).....	1	1	Yellow paint
•	52401-N1A-D00	SPRING, RR. CUSHION (10.0).....	(1)	(1)	White paint
•	52402-N1A-D00	SPRING, RR. CUSHION (10.3).....	(1)	(1)	Blue paint
•	52403-N1A-D00	SPRING, RR. CUSHION (10.8).....	(1)	(1)	Black paint
•	52404-N1A-D00	SPRING, RR. CUSHION (11.0).....	(1)	(1)	Red paint
•	52405-N1A-D00	SPRING, RR. CUSHION (11.3).....	(1)	(1)	Green paint
• 3	52505-MFJ-R01	STAY, PRELOAD ADJ.....	1	1	
4	90157-ME9-000	BOLT, SOCKET 8 X 22.....	1	1	
5	96001-06022-00	BOLT, FLANGE, SH, 6 X 22.....	2	2	

Block No.

F-9

**Wire harness
(AMA-FX)**

2008 CBR600RR



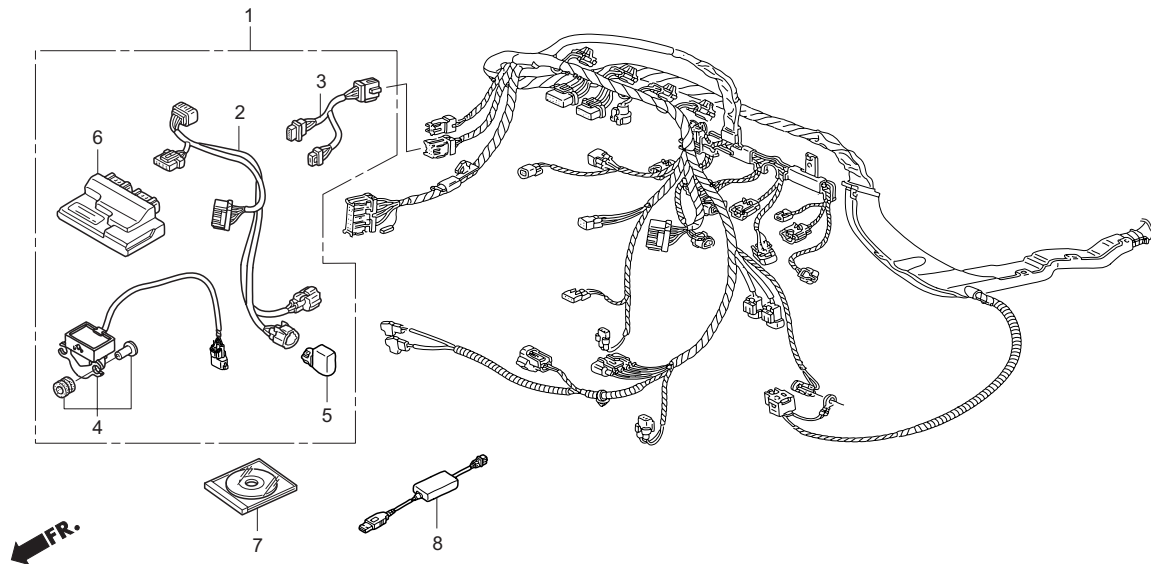
Ref. No.	Part No.	Description	Reqd. No.		Remarks
			AMA	FX SS	
• 1	06304-N1A-D10	ELECTRIC SET (FIM&AMA-FX).....	1	-	
• 2	32100-MFJ-R10	HARNESS, WIRE.....	1	-	(AMA-SS uses a STD. harness.)
• 3	32102-MFJ-R00	WIRE, HARN FR. SUB.....	1	-	(AMA-SS uses a STD. harness.)
• 4	35160-MBW-Y02	SENSOR ASSY., BANK ANGLE.....	1	-	
• 5	35400-NL9-000	RESISTER, COMP.	1	1	
• 6	38770-N1A-D10	UNIT ASSY. PGM-FI /IGN.....	1	-	06170-N1A-D10 (AIR FUNNEL SET) use with set.
• 7	38771-N1A-D10	CD-ROM, PGM-FI/IGN.....	1	1	
• 8	38880-NL9-C00	UNIT ASSY., SERIAL I/F USB TYPE.....	1	1	

Block No.

F-9-1

**Wire harness
(AMA-SS)**

2008 CBR600RR

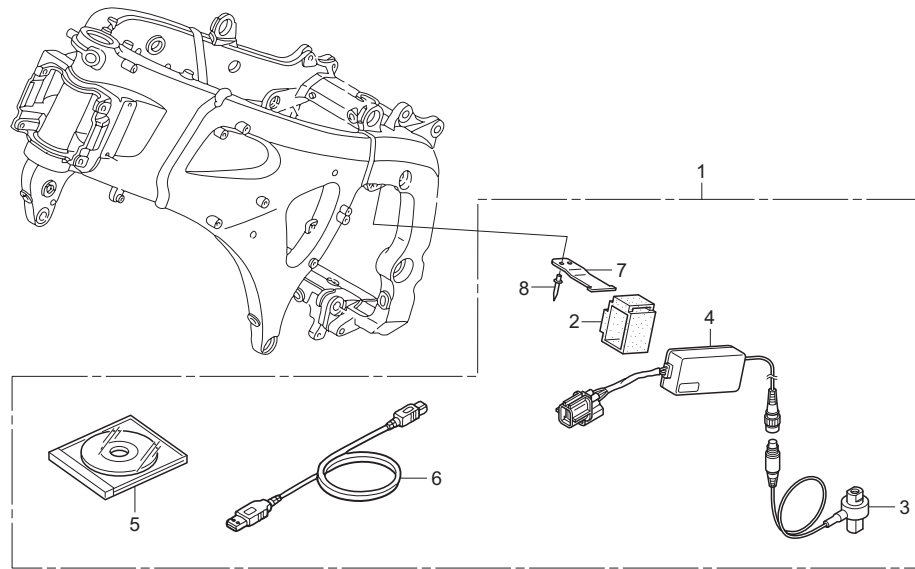


Ref. No.	Part No.	Description	Reqd. No.		Remarks
			AMA	FX SS	
• 1	06304-N1A-A20	ELECTRIC SET (AMA-SS).....	-	1	
• 2	32105-N1A-A20	SUB HARNESS, SHIFTER.....	-	1	
• 3	32106-N1A-A20	SUB HARNESS, SHORTING C/L SW.....	-	1	
• 4	35160-N1A-A21	SENSOR ASSY., BANK ANGLE.....	-	1	
• 5	35400-NL9-000	RESISTER, COMP.	1	1	
• 6	38770-MFJ-R11	UNIT ASSY. PGM-FI /IGN.....	-	1	
• 7	38771-N1A-D10	CD-ROM, PGM-FI/IGN.....	1	1	
• 8	38880-NL9-C00	UNIT ASSY., SERIAL I/F USB TYPE.....	1	1	

Block No.

F-10
QUICK SHIFTER SET

2008 CBR600RR



Ref. No.	Part No.	Description	Reqd. No.		Remarks
			AMA	FX SS	
• 1	06382-NL9-000	QUICK SHIFTER SET	1	1	
• 2	30401-GB6-000	CUSHION, CDI UNIT	1	1	
• 3	38200-NL9-000	SENSOR ASSY, Q/SHIFT	1	1	
• 4	38300-NL9-000	UNIT ASSY, Q/SHIFT	1	1	
• 5	38410-NL9-000	CD-ROM, Q/SHIFTER	1	1	
• 6	38411-NL9-000	USB CABLE	1	1	
• 7	38520-NL9-000	STAY, RELAY	1	1	
• 8	91080-NL6-300	POP RIVET, 3.2X9.2	2	1	

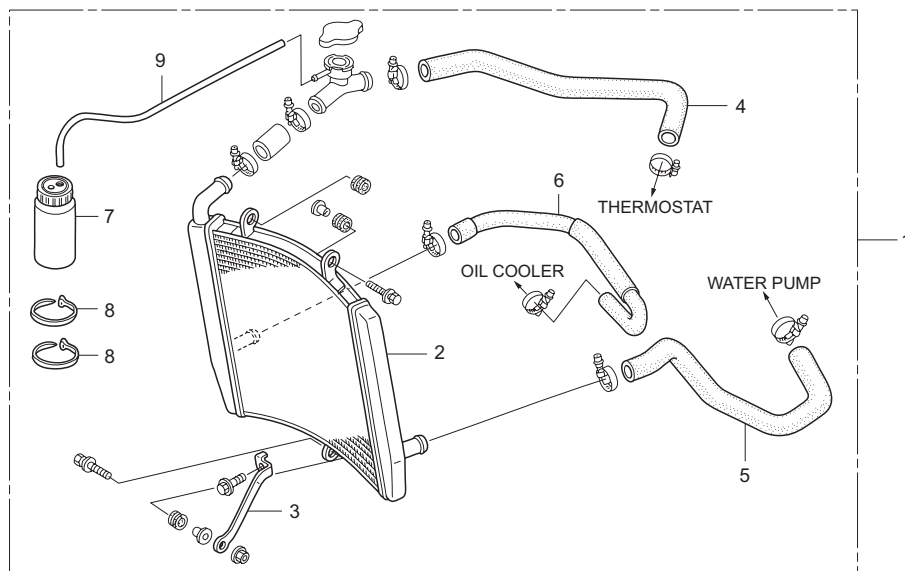
Block No.

F-11

Radiator set

2008 CBR600RR

←FR.



Ref. No.	Part No.	Description	Reqd. No.		Remarks
			AMA	FX SS	
• 1	06190-N1A-D00	RADIATOR SET	1	-	
• 2	19010-N1A-D01	RADIATOR COMP.	1	-	
• 3	19105-N1A-D00	STAY, RADIATOR LOWER	1	-	
• 4	19503-N1A-D00	HOSE, RADIATOR R.	1	-	
• 5	19512-N1A-D00	HOSE, RADIATOR L.	1	-	
• 6	19513-N1A-D00	HOSE, OIL/C	1	-	
• 7	19602-NF4-810	TANK, CATCH 250	1	1	
• 8	90651-NC8-000	TY-LAP, 3.6 X 281	2	2	
9	95003-14081-10	VINYL-TUBE, 6 X 9 X 800	1	1	Order 95003-14001-10M (6 x 9 x 1000)

2008-CBR600RR PART NO. INDEX

Part No.	Block	Part No.	Block	Part No.	Block	Part No.	Block
00X32-N1A-A00	E- 1			18152-N1A-D00	F- 6	23803-NL3-620	F- 7
		14110-NL3-750	E- 1	18157-N1A-D00	F- 6		
		14210-N1A-D00	E- 1	18158-N1A-D00	F- 6		
		14405-NL3-750	E- 1	18231-N1A-D00	F- 6		
04193-N1A-D00	E- 5	14751-NL3-750	E- 1	18232-NL3-900	F- 6	30401-GB6-000	F-10
		14752-NL3-750	E- 1	18310-N1A-D00	F- 6		
				18334-NL3-750	F- 6		
				18371-N1A-D00	F- 6		
06130-N1A-D00	E- 1			18372-N1A-D00	F- 6	31100-N1A-D00	E- 2
06170-N1A-D10	F- 4	15514-N1A-D00	F- 4	18422-MFJ-D00	F- 6	31110-N1A-D00	E- 2
06180-N1A-D00	F- 6	15611-NF4-900	F- 4	18423-MFJ-D00	F- 6	31120-NL3-750	E- 2
06190-N1A-D00	F-11			18424-MFJ-D00	F- 6	31910-NL3-871	E- 1
06195-N1A-D00	F- 5						
06230-N1A-A10	E- 4						
06304-N1A-A20	F- 9-1	17210-N1A-D10	F- 4				
06304-N1A-D10	F- 9	17211-N1A-D10	F- 4	19010-N1A-D01	F-11	32100-MFJ-R10	F- 9
06382-NL9-000	F-10	17212-N1A-D10	F- 4	19105-N1A-D00	F-11	32102-MFJ-R00	F- 9
06412-NL3-650	F- 7	17213-N1A-D10	F- 4	19503-N1A-D00	F-11	32105-N1A-A20	F- 9-1
06531-NL3-750	F- 1	17214-N1A-D10	F- 4	19505-KS6-700	E- 5	32106-N1A-A20	F- 9-1
06552-N1A-D00	F- 4	17226-N1A-D10	F- 4		F- 4		
		17227-N1A-D10	F- 4		F- 5		
		17246-439-000	F- 6	19512-N1A-D00	F-11		
		17316-611-000	F- 4	19512-NL3-620	E- 5	35160-MBW-Y02	F- 9
11321-N1A-D00	E- 2	17554-N1A-D00	F- 4	19513-N1A-D00	F-11	35160-N1A-A21	F- 9-1
11333-MFJ-D00	E- 2	17555-N1A-D00	F- 4	19602-NF4-810	F-11	35400-NL9 -000	F- 9
		17556-N1A-D00	F- 4				F- 9-1
		17910-N1A-D00	F- 1				
		17920-N1A-D00	F- 1				
12251-MFJ-D01	E- 1			23211-N1A-A10	E- 4		
12251-NL3-751	E- 1			23421-N1A-A10	E- 4	38200-NL9-000	F-10
				23801-NL3-620	F- 7	38300-NL9-000	F-10
		18151-N1A-D00	F- 6	23802-NL3-620	F- 7	38410-NL9-000	F-10

2008-CBR600RR PART NO. INDEX

Part No.	Block	Part No.	Block	Part No.	Block	Part No.	Block
38411-NL9-000	F-10			51450-MFJ-R01	F- 3		
38520-NL9-000	F-10	45105-NL3 -921	F- 1	51455-MEE-D01	F- 3		
38770-MFJ-R11	F- 9-1	45105-NL9 -801	F- 1	51490-MEE-D01	F- 3		
38770-N1A-D10	F- 9	45106-NL3 -921	F- 1	51500-MFJ-R11	F- 3	90004-492-010	E- 4
38771-N1A-D10	F- 9	45120-NL3-901	F- 1	51500-N1A-A21	F- 3	90019-N1A-D00	E- 3
	F- 9-1	45125-N1A-D00	F- 1	51520-MFJ-R01	F- 3	90081-NX4-000	E- 3
38880-NL9 -C00	F- 9	45159-N1A-D00	F- 1	51520-N1A-A21	F- 3	90109-MR7-000	F- 3
	F- 9-1	45220-NL3-901	F- 1			90120-MFJ-D00	F- 6
						90123-MEN-670	F- 4
						90126-MR7-003	F- 3
				52157-NL3-650	F- 7	90157-ME9-000	F- 8
40530-NL6-003	F- 7	50252-GC4-830	E- 3	52400-MFJ-R11	F- 8	90304-MFJ-R00	F- 2
40535-NL6-003	F- 7			52401-MFJ-R01	F- 8	90304-MM5-000	F- 6
				52401-N1A-D00	F- 8	90402-MFJ-D01	E- 3
				52402-N1A-D00	F- 8	90454-ZV1-000	E- 5
		51400-MFJ-R11	F- 3	52403-N1A-D00	F- 8	90501-MFJ-D00	F- 6
41201-NL3-651	F- 7	51400-N1A-A21	F- 3	52404-N1A-D00	F- 8	90505-116-670	F- 7
41202-NL3-651	F- 7	51401-MEE-R21	F- 3	52405-N1A-D00	F- 8	90651-NC8-000	F-11
41203-NL3-651	F- 7	51401-NL3-921	F- 3	52442-KA3-711	F- 3		
41204-NL3-651	F- 7	51402-NL3-921	F- 3	52505-MFJ-R01	F- 8		
41205-NL3-651	F- 7	51403-MEE-D01	F- 3				
41206-NL3-651	F- 7	51403-NL3-921	F- 3			91080-NL6-300	F-10
41207-NL3-651	F- 7	51404-MFJ-R01	F- 3			91254-MEE-D01	F- 3
		51406-MFJ-R01	F- 3	53141-MT7-000	F- 1	91258-GF4-003	F- 3
		51410-MFJ-D01	F- 3	53167-KV3-700	F- 1	91307-KF0-003	F- 4
		51412-MB4-003	F- 3	53168-KV3-701	F- 1		
43105-NL9-C30	F- 1	51414-KCR-003	F- 3	53215-GF8-000	F- 2		
43105-NL9-C41	F- 1	51415-KCR-003	F- 3	53700-MFJ-R01	F- 2		
43106-NL9-C30	F- 1	51420-MFJ-R01	F- 3			93401-06028-00	F- 6
43106-NL9-C41	F- 1	51420-N1A-A21	F- 3			93404-06010-08	F- 7
		51430-MFJ-R11	F- 3			93500-05020-0G	F- 1
		51447-KA4-711	F- 3	55200-N1A-D00	F- 4		

2008-CBR600RR PART NO. INDEX

Part No.	Block	Part No.	Block	Part No.	Block	Part No.	Block
94109-12000	E- 3						
95003-14081-10	F-11						
96001-06012-07	F- 1						
96001-06014-00	F- 6						
96001-06016-00	E- 2						
96001-06018-07	F- 1						
96001-06022-00	F- 8						
96001-06028-00	E- 2						
96205-14012	F- 5						
96205-15012	F- 5						